


PACKING LIST:

- Side Frame Assembly x 2
- Top Frame Assembly x 1
- Corner Motion Control Assembly x 2
- #6-32 x ½" Flat Head Screw x 8
- ¼"-20 x ¾" Security Head Screw x 6

TOOLS NEEDED:

- T27 Security Torx wrench
- #2 Philips head screw driver

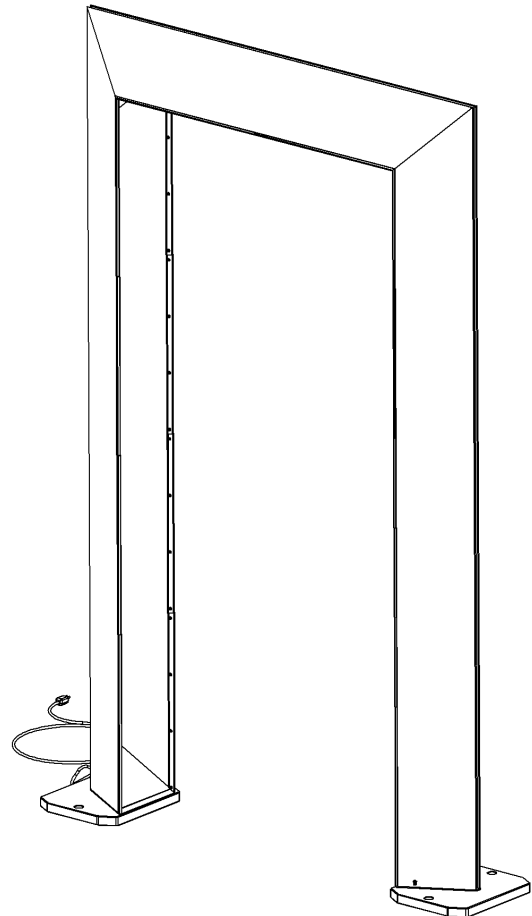
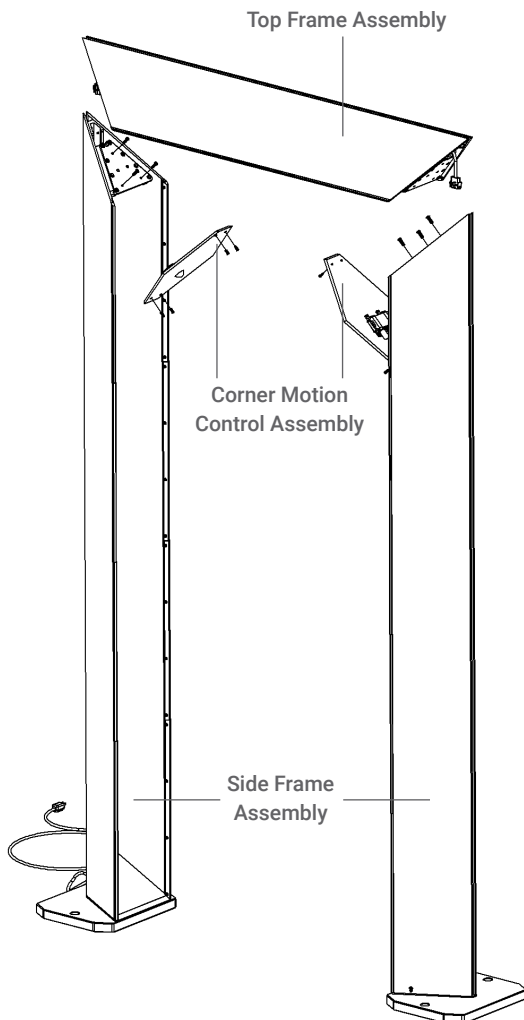
 Please review all parts and hardware before disposing of any packaging. Please use recommended tools for assembly.

IMPORTANT SAFETY INSTRUCTIONS

This product has 3-prong plug that allows a grounding wire to be connected from the electrical circuit to the product. The grounding wire is connected to the third prong of the plug. When the 3-prong plug is plugged into the receptacle, the grounding wire is connected to the prong and provides a continuous grounding path from the product back to the breaker box. This grounding path serves as primary safety means if there is a short circuit or other damage to the electrical circuit or product.

CAUTION

TO PREVENT ELECTRICAL SHOCK, MATCH 3-Prong Plug to 3-Prong Receptacle, FULLY INSERT.

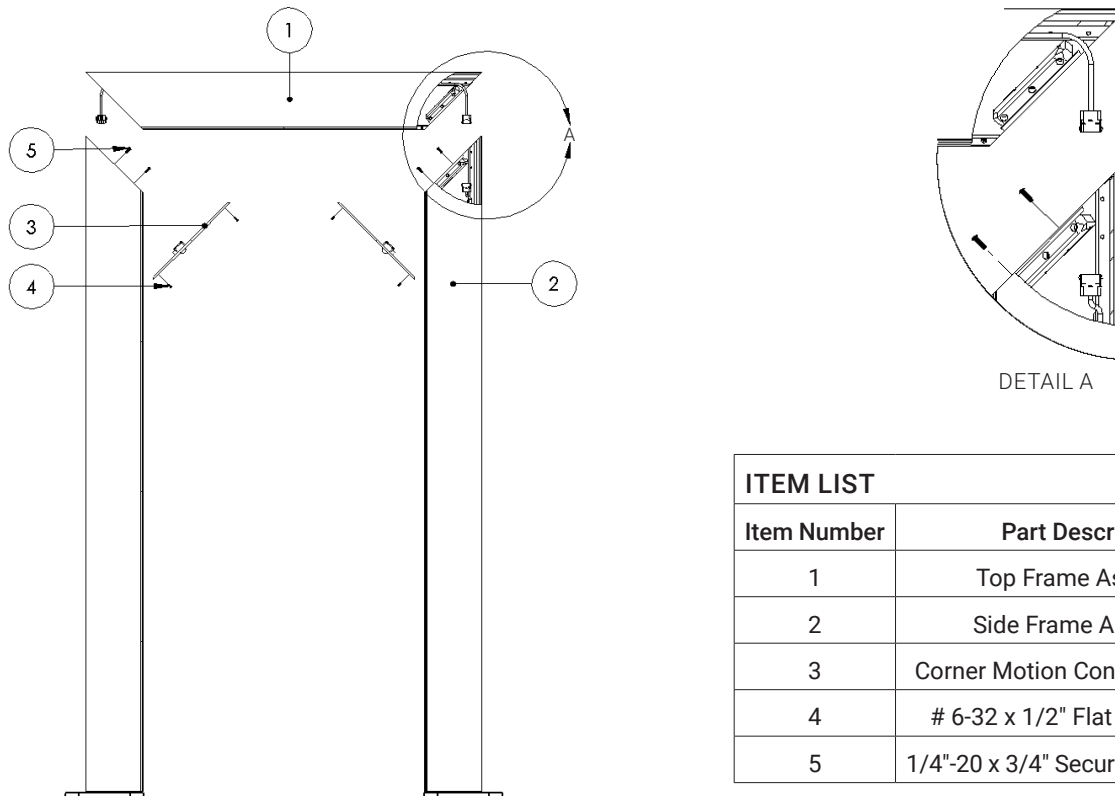


INSTALLATION - OVERALL ASSEMBLY

1. At or near the desired installation location, unpack all components and verify the contents against the packing list.
2. Set the two Side Frame Assembly (item 2) at 35.5" distance apart (as shown in Fig 1).
3. Set the Top Assembly (item 1) on the top of the two Side Frame Assembly (as shown in Fig 1).
4. Connect all electrical connections by attaching all corresponding quick connectors between Top Frame Assembly and the two Side Frame Assembly (see Fig 1 Detail A, Fig 2 Detail B)
5. Fasten Top Frame Assembly and Side Frame Assemblies with 1/4"-20 x 3/4" Security Head Screws (Item 5) as shown in Fig 1.
6. Connect each of the Corner Motion Control Assembly each side of the Frame using the corresponding connector (see Fig 3 Detail C).*
7. Fasten the two Corner Motion Control Assembly (Item 3) with #6-32 x 1/2" Flat Head Screws (Item 4) as shown in Fig 1.
8. Plug in the 3-prong plug into the power outlet.
9. Locate the two (2) Power/Control switches on Side Frame Assembly. Switch 1 is located above the power cord and Switch 2 is located below the power cord. Adjust Switch 1 to desired control operation to activate the Portal as shown in Fig 3.
 - Switch 1
 - Top Position: Constant On
 - Middle Position: OFF
 - Bottom: Motion Controlled (Default)
 - Switch 2
 - Bottom: On (Default)
10. For Switch 2 located below the power cable, please ensure the switch is ALWAYS ON THE BOTTOM position at all times. Any other position will cause the Portal to not function properly.
11. While Portal is designed to be free-standing, anchor holes are available on the base of each Side Frame Assembly and can be used to secure the Portal to the ground by using 1/4" fasteners.

* There is no polarity requirement of Corner Motion Control Assembly installation.

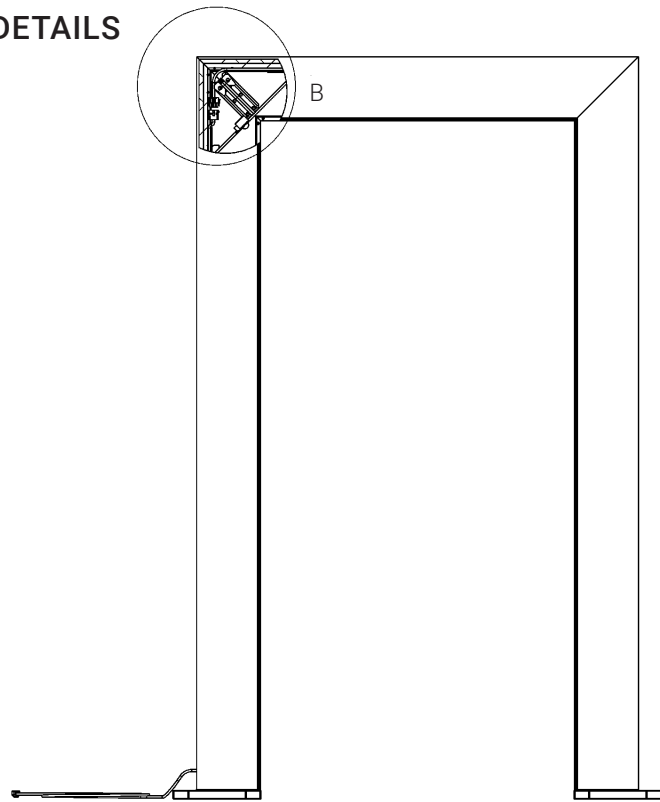
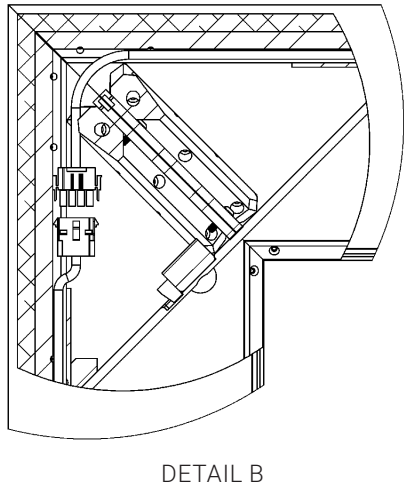
Fig. 1



ITEM LIST		
Item Number	Part Description	Quantity
1	Top Frame Assembly	1
2	Side Frame Assembly	2
3	Corner Motion Control Assembly	2
4	# 6-32 x 1/2" Flat Head Screw	8
5	1/4"-20 x 3/4" Security Head Screw	6

ELECTRICAL CONNECTION – ADDITIONAL DETAILS

Fig. 2



ADDITIONAL DIAGRAMS

Fig. 3

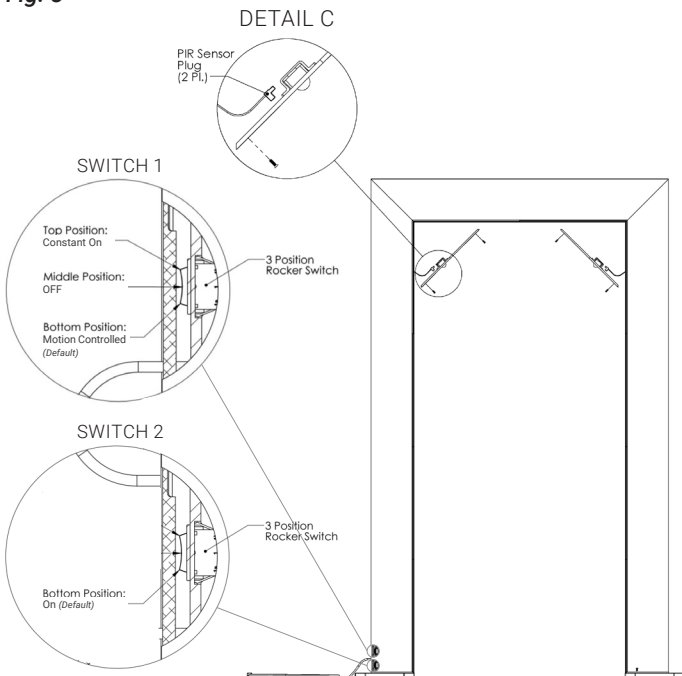


Fig. 4

