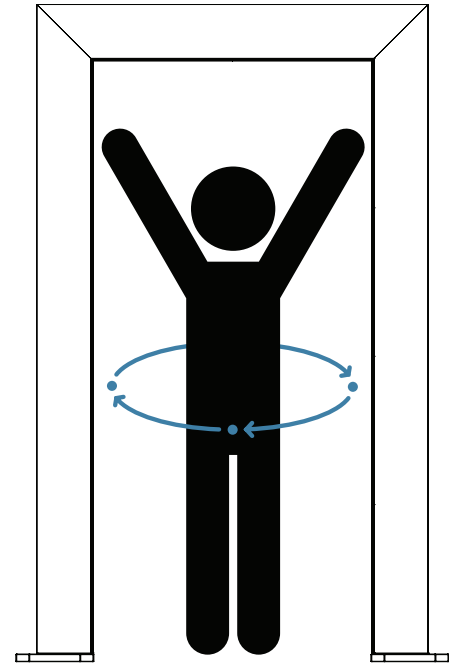


# Cleanse<sup>®</sup> Portal Usage Guide

## PORTAL OPERATING INSTRUCTIONS

The recommended minimum exposure to reduce surface microbes is 20 seconds per person. A four-point, 360 degree turn within the Portal is recommended for maximum coverage.

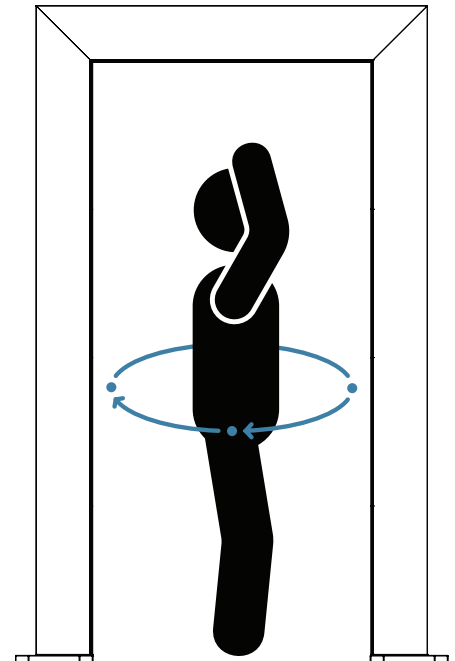
1. Enter the center of the Portal and raise your arms with a posture similar to that used in an airport scanner. Stand for 5 seconds.
2. Keeping your arms raised, rotate within the Portal 90 degrees to face the side. Stand for 5 seconds.
3. Rotate again 90 degrees to face the back. Stand for 5 seconds.
4. Rotate a final 90 degrees to face the opposite side. Stand for 5 seconds.
5. Your 20 second cleanse cycle is now complete, and you may exit.



## GUÍA DEL USUARIO DEL PORTAL

La exposición mínima recomendada para reducir los microbios de la superficie es de 20 segundos por persona. Se recomienda un giro de cuatro puntos o 360 grados dentro del Portal para obtener la máxima cobertura.

1. Ingrese al centro del Portal y levante los brazos con una postura similar a la utilizada en un escáner de aeropuerto. Párate por 5 segundos.
2. Manteniendo los brazos levantados, gire dentro del Portal 90 grados para mirar hacia un lado. Párate por 5 segundos.
3. Gire nuevamente 90 grados para mirar hacia atrás. Párate por 5 segundos.
4. Finalmente gire 90 grados para mirar el lado opuesto. Párate por 5 segundos.
5. Su ciclo de limpieza de 20 segundos ahora está completo y puede salir.



# Cleanse Portal UV Module Replacement Guide

1. Before starting, unplug the power cord and make sure the Portal is off.

2. Uninstall both Corner Motion Control Assembly by unscrewing the two (2) Security Head screws and disconnect the quick connector for each (See Fig 1).

3. Locate and remove all the screws that attached the four (4) cover plates to the Side Frame Assembly. Remove the 4 cover plates (See Fig 2).

4. Locate and remove all the screws that attached the two (2) cover plates to the Top Frame Assembly. Remove the 2 cover plates (See Fig 3).

5. Locate and disconnect the UV Module quick connectors from the Frame Assembly.

6. Remove all the screws that attached the UV Module to the Frame Assembly and uninstall the old UV Module (See Fig 4).

7. Connect the new UV Module via the quick connector and install into the Frame Assembly with its corresponding screws (See Fig 4).

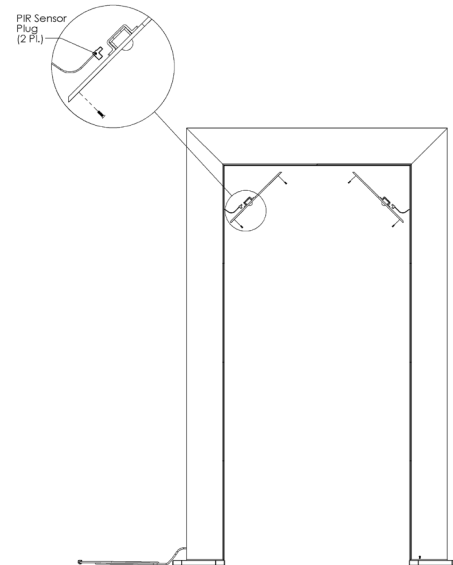
8. Repeat steps 5, 6, and 7 to replace the remaining UV Modules.

9. Once all UV modules have been replaced, attach the four (4) cover plates with its corresponding screws to the respective Side Frame Assembly (See Fig 2)

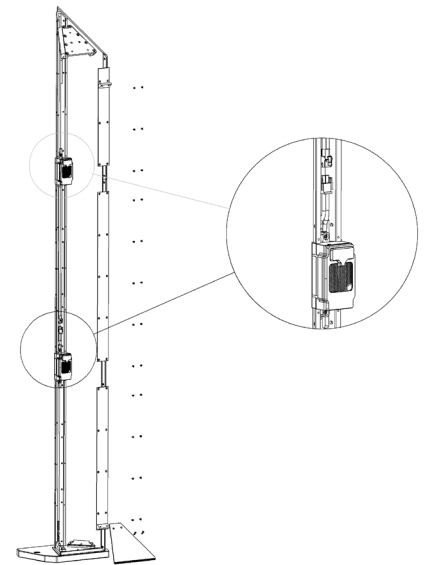
10. Attach the two (2) cover plates with its corresponding screws to the Top Frame Assembly (See Fig 3)

11. Connect the two Corner Motion Control Assembly via the quick connectors and install into the Portal with its corresponding screws (See Fig 1).

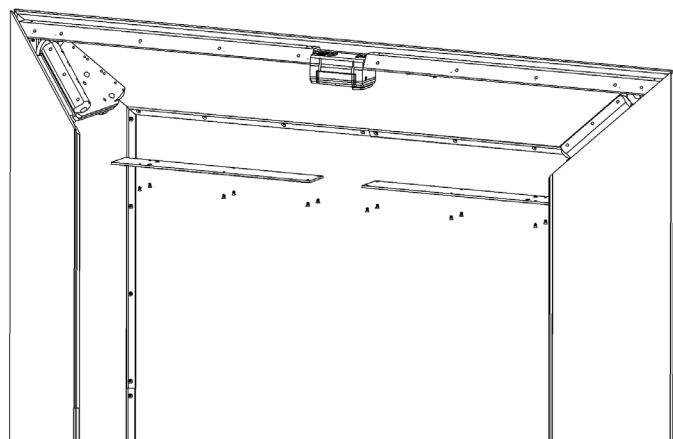
**Fig. 1**



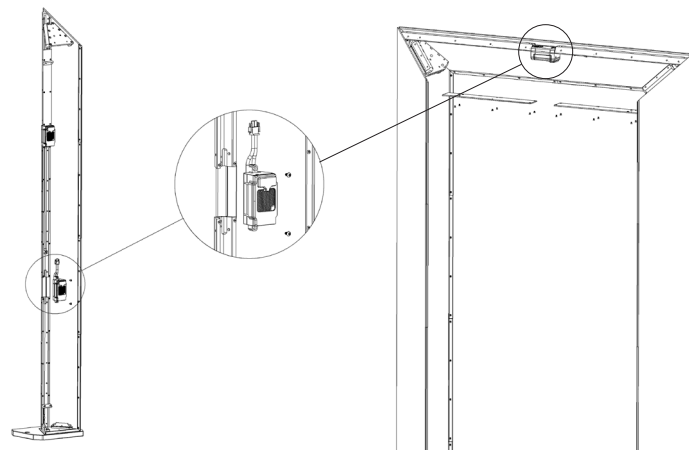
**Fig. 2**












**Fig. 3**



**Fig. 4**



# Safety Notes

-  **WARNING:** Risk of Injury and Burn Hazard. DO NOT touch the surface of the UVC module while the Portal is powered on or immediately after powered off.
-  **CAUTION:** The Far-UVC source has not been tested for photosensitive individuals or those exposed to photo-sensitizing agents.
-  **CAUTION:** The Cleanse Portal may help to reduce the number of germs and microbes, but it will not eliminate them completely.
-  **NOTE:** The Cleanse Portal is designed to sanitize clothing and personal belongings of people inside the Portal using far ultraviolet C (Far-UVC). Research have shown Far-UVC light to be as or more effective in inactivating microbes than UVC light. Unlike UVC, usage of Far-UVC does not require the use of skin coverings and UV eye shield. [1]
-  **NOTE:** The actual inactivation rate of microbes on surfaces will vary based on the type of microorganisms and the length of exposure time inside the Portal.
-  **NOTE:** Based on American Conference of Government Industrial Hygienists (ACGIH) Threshold Limit Values (TLV), the recommended maximum human exposure time is 15 minutes over an 8-hour day, which equates to (45) 20-second passes through the Portal.
-  **NOTE:** The use of Cleanse Portal is an adjunct and not intended as a replacement or modification to an existing cleaning and sanitization program.
-  **NOTE:** Far-UVC emitter has a nominal operational life of >3000 hours. The emitter radiates a dim violet glow during operations. If the visible dim violet glow is no longer detected, the Far-UVC module must be replaced. Please refer to the UV Module Replacement section in the Usage Guide for reference.
-  **NOTE:** In the event the Far-UVC module malfunctions or fails, please contact the manufacturer for replacement.

## FDA DISCLAIMER – FOOD AND DRUG ADMINISTRATION STATEMENT

The statements made within this manual have not been evaluated by the U.S. Food and Drug Administration. These statements and the products of this company are not intended to diagnose, treat, cure or prevent any disease.

Not for sale or distribution in Hawaii, Indiana, New Mexico, Wyoming, and US Territory of Puerto Rico.

## REFERENCES

[1]Manuela Buonanno, Brian Ponnaiya, David Welch, Milda Stanislauskas, Gerhard Randers-Pehrson, Lubomir Smilenov, Franklin D. Lowy, David M. Owens, and David J. Brenner. "GERMICIDAL EFFICACY AND MAMMALIAN SKIN SAFETY OF 222-NM UV LIGHT." Radiation Research April 2017.