

PURO[™]
UV Disinfection Lighting



Portable UV Disinfection

Sentry M1

MOBILE UV DISINFECTING UNIT

With the Sentry M1, protection follows you. The Sentry M1 is an affordable mobile UV disinfecting unit designed for easy positioning and simple control. It emits broad-spectrum UV light to eliminate up to 99.9% of the bacteria, viruses, and fungi in a space¹. In rooms that have been cleaned of mold, the unit will help control return growth if used routinely².

The compact unit has a Single or Two Single UV Light Engines in a lightweight, miniaturized design. Mounted on a tripod base, the M1 unit has a telescoping neck and adjustable UV head angle for perfect spot treatment where contamination is suspected.

1. Study Report August 2017, "Antimicrobial Effectiveness of Puro Device", using modified ASTM International Standard Test Method E1153.
2. Research Journal of Microbiology, 2 (1), 42-49, 2007; Mycological Research, Vol. 92, Issue 3, 1989

Powered by
Violet Defense[™] technology



Lightweight, tripod base and a telescoping neck for easy positioning.



Broad-spectrum UV-C, UV-B, and UV-A light to kill bacteria and viruses.



Simple single-cycle operation with occupancy detection for safety.



Single or two Single UV Light Engines with pulsed Xenon lamp for 180° or 340° coverage up to 200sf.

Product Specifications

Illumination

Light Source	Proprietary Pulsed Xenon Lamp
Pulse Interval	1 UV Flash every 6 seconds
Wavelengths	UV-C (200-280nm) Germicidal UV-B (280-320nm) Germicidal UV-A (320-400nm) Antibacterial
Range	10' x 10' coverage for M1-1 20' x 10' coverage for M1-2
UV Bulb Rated Life	> 2 Million UV Flashes

Electrical System

Input Voltage	110V AC
Max Current	3.5 Amps for M1-1 7 Amps for M1-2
Total Power	50W per standard, 30 minute cycle
Power Connection	3-prong grounded plug

Physical

Weight	11.4 lbs for M1-1 14 lbs for M1-2
Housing/Finish	Brushed Aluminum
Optics	Single patented UV Light Engine with transmissive UV lens and Xenon UV lamp
Beam Angle	170° for M1-1 340° for M1-2

Environment

Ambient Operating Temperature	41°F to 104°F
Ambient Operating Humidity	<80%RH non-condensing

Certifications

Safety	TUV Certified, tested to UL 61010-1:2012
FCC	Compliant with Part 15 Class A
RoHS	Compliant
FDA	Materials are cleared for use in food and medical areas
EPA	Registered

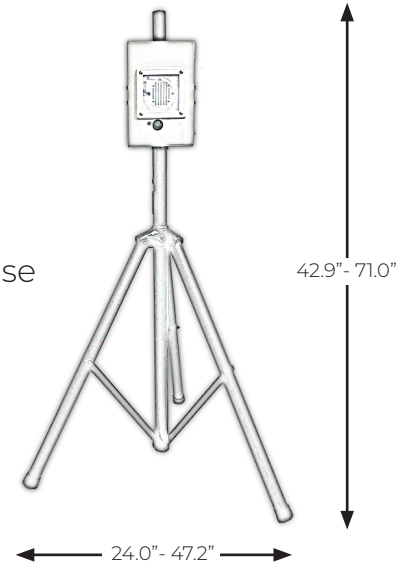
Warranty

Warranty	1 year
----------	--------

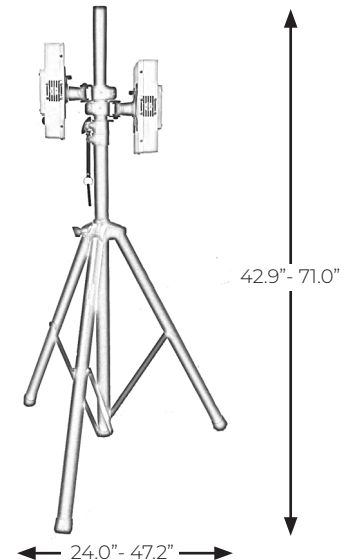
Dimensions

Height: 42.9" – 71.0" Width and Depth: 24.0" - 47.2"

Sentry M1-1
Adjustable tripod base



Sentry M1-2
Adjustable tripod base



Single Cycle Operation Mode

The operational mode is programmed through an Ethernet connection to the unit.

This unit will complete a single cycle of 15 or 30 minutes when the unit is plugged in for power. If interrupted, the unit will resume its programmed cleaning cycle once motion is no longer detected.

The units must be programmed before use.

Safety and Occupancy Sensors

The unit's redundant safety systems, including an integrated occupancy sensor, ensures the unit will not activate while the room is occupied and will immediately suspend operations if motion is detected in a previously unoccupied room.

Installation

All units ship with a 15 foot cord terminated with a grounded 110V plug. Plug in the unit after positioning it in the room.

110V Outlet

The unit can be plugged into a non-GFI outlet. If an outlet is not accessible near the fixture location, you may require a sufficiently rated, grounded extension cord or have a licensed electrician to install an outlet.

CAUTION

CAUTION - IF THE FIXTURE EXHIBITS UNDESIRABLE OPERATION (BUZZING, FLICKERING, ETC. OR IF THE UNIT'S LED STATUS INDICATOR IS FLASHING RED), IMMEDIATELY TURN OFF POWER AND CONTACT MANUFACTURER.

INDOOR USE ONLY.

Certifications



This device is tested and certified by TUV to UL specifications.



Tested to be compliant with FCC Part 15 Class A.

Internal components of this device are UL Listed, UL Recognized or CE listed.

The manufacturer is registered with the US Environmental Protection Agency (EPA). Clinical laboratory testing has been performed at independent labs.



Ordering Information

Example: S-M1-1-T-15-P-110

FAMILY	MODEL	MOUNT	CORD LENGTH	CORD TERMINATION	WATTAGE
S = Sentry	M1-1 = Single UV Light Engine M1-2 = Two Single UV Light Engines	T = Adjustable tripod with telescoping neck	15 = 15 feet	P = Three-prong grounded plug	110 = 110V AC